



SAP 012-108 DIN is a series of light weight casing piston pumps with a fixed displacement for demanding mobile hydraulics.

SAP 012-108 DIN covers the displacement range 12-108 cm³/rev. at a maximum pressure of 400 bar. It is a modern, compact pump which meets the market's high demands on flow performance, pressure, efficiency and small installation dimensions. The pump is either mounted directly on the power take-off or on a frame bracket via an intermediate shaft.

Other advantages:

- Light weight metal casing design
- Smooth operation over the entire speed range
- Long life due to high demands on material selection, such as bearings, seals, etc
- Corrosion free light metal-housing
- Less heat generation due to better ability to dissipate heat through housing

VERSIONS, MAIN DATA

Example

SA	P	-	084	L	-	N	-	DL4	-	L35	-	S0	S	-	0	00
Line	1		2	3		4		5		6		7	8		9	10

Line	
SA	Sunfab Aluminium
P	Pump

2. Displacement										
012	017	025	034	040	047	056	064	084	108	

3. Direction of rotation	
R	Right
L	Left

4. Sealing	
N	Nitrile
V	HNBR

5. Mounting flange	
DL4	DIN 4-h (ISO 7653D)

6. Shaft	
L35	DIN 5462 / ISO 14

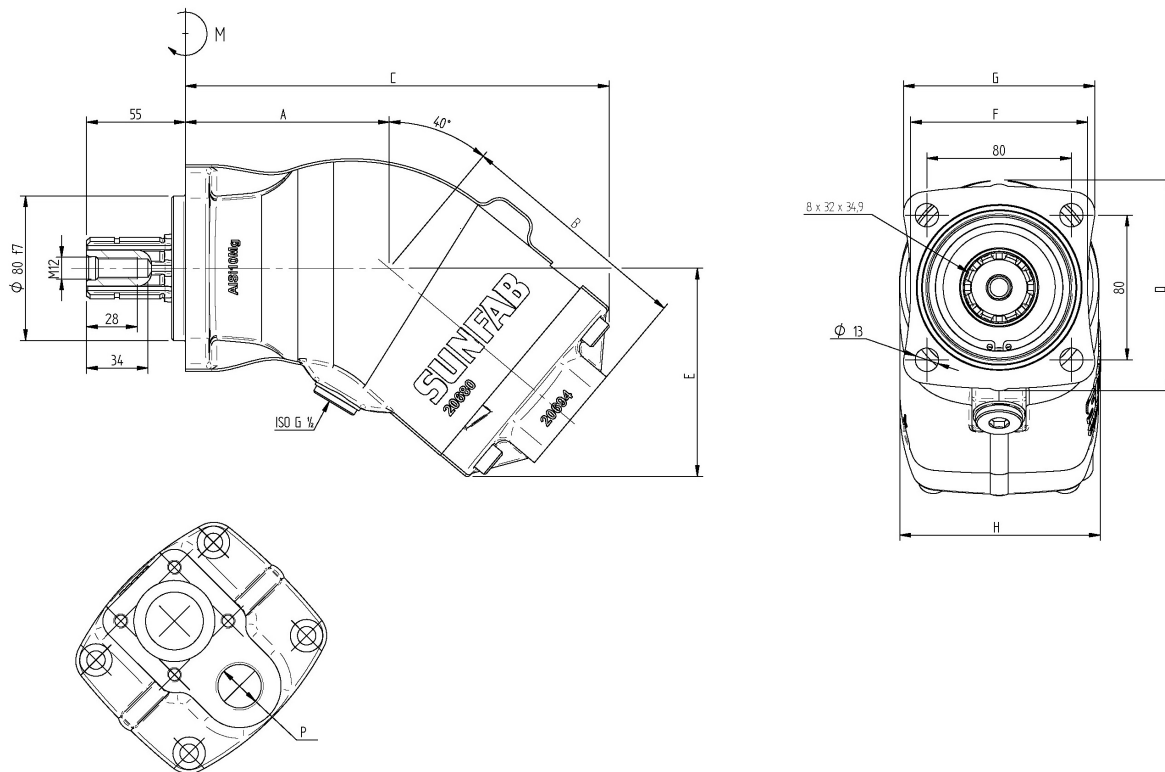
7. Connection cover	
S0	40° Sunfab standard

8. Connections	
S	Sunfab standard

9. Additional	
0	-

10. Accessories	
00	No accessories available

SAP 012-108 DIN		012	017	025	034	040	047	056	064	084	108	
Theoretical oil flow \dot{V} min at pump speed	rpm	500	6.3	8.5	12.7	17.1	20.6	23.5	28.0	31.8	41.5	54.0
		1000	12.6	17.0	25.4	34.2	41.2	47.1	56.0	63.6	83.6	108.0
		1500	18.9	25.5	38.1	51.3	61.8	70.6	84.0	95.4	125.4	162.0
Displacement	cm^3/rev	12.6	17.0	25.4	34.2	41.2	47.1	56.0	63.6	83.6	108.0	
Max pump speed	rpm	continuous	2300	2300	2300	2300	1900	1900	1900	1900	1500	1500
		limited	3000	3000	3000	3000	2500	2500	2500	2500	2000	2000
Max working pressure	bar	400	400	400	400	400	400	400	400	400	400	
Weight	kg	6.9	6.9	7.1	7.1	9.8	9.8	9.8	9.8	13.9	13.9	
Dimensions	mm	A	97	97	97	97	113	113	113	113	122	122
		B	116	116	116	116	131	131	131	131	147	147
		C	206	206	206	206	235	235	235	235	264	264
		D	115	115	115	115	118	118	118	118	127	127
		E	102	102	102	102	115	115	115	115	133	133
		F	98	98	98	98	98	98	98	98	98	98
		G	106	106	106	106	106	106	106	106	106	106
		H	97	97	97	97	111	111	111	111	118	118
ISO G	P	3/4	3/4	3/4	3/4	3/4	3/4	3/4	3/4	1	1	
Tare-weight torque (M)	Nm	6.0	6.0	6.5	6.5	11.5	11.5	11.5	11.5	18.0	18.0	
Direction of rotation	Left (L) or Right (R)											





WARNING

When the pump is running:

1. Do not touch the pressure hose
2. Watch out for rotating parts
3. The pump and hoses may be hot

Sunfab reserves the right to make changes in design and dimensions without notice. Printing and typesetting errors reserved.